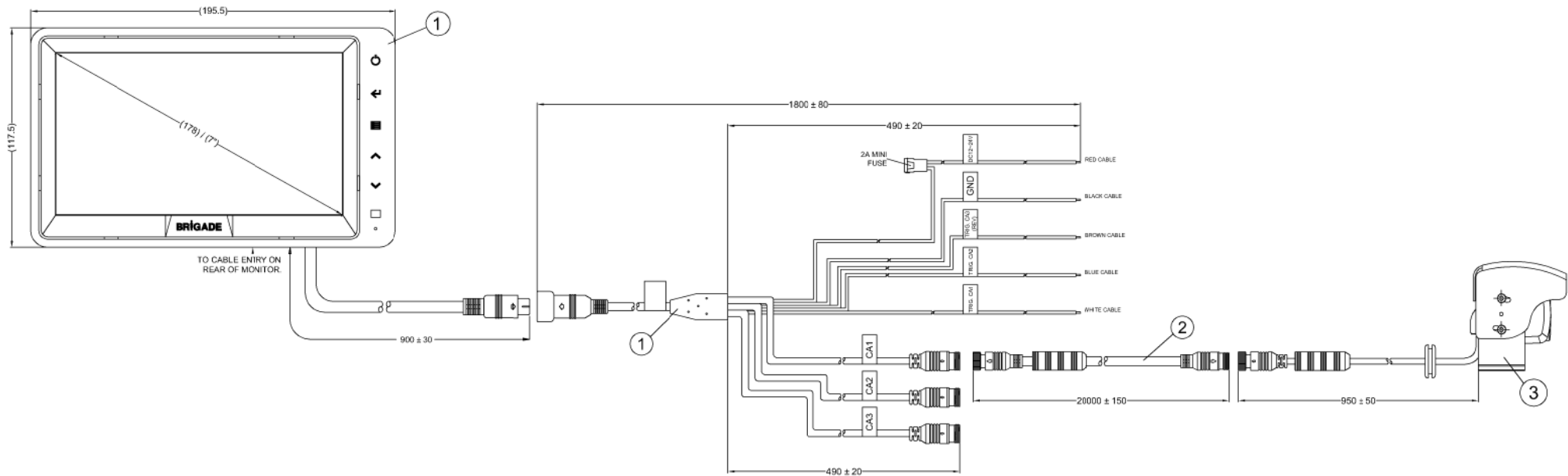


Revision Notes.

APA: - Drawn:- Checked:- Approved:- Date: --/--/----

| ITEM | PART NO. | VARIANT | QTY | MODEL / DESCRIPTION |
|------|----------|---------|-----|---------------------------|
| ① | (4288A) | WGB | 1 | VBV-770M MONITOR KIT |
| ② | (1380) | N/A | 1 | VBV-L420 20M CAMERA CABLE |
| ③ | (2808C) | WGB | 1 | VBV-710C CAMERA KIT |



NOTES:

1. FOR COMPONENT DETAILS REFER TO COMPONENT DRAWINGS.
2. FOR PRODUCT LABEL AND PACKAGING DETAIL REFER TO MASTER BOM.
3. PURCHASE ORDER TO DEFINE SYSTEM PACKAGING VARIANT.

PROPRIETARY NOTICE

THIS DESIGN AND TECHNICAL INFORMATION APPEARING ON THIS DRAWING IS THE PROPERTY OF BRIGADE ELECTRONICS, AND IS DISCLOSED IN CONFIDENCE. IT IS NOT TO BE COPIED, REPRODUCED, REVEALED TO OR EXPROPRIATED BY OTHERS, EITHER IN WHOLE OR IN PART WITHOUT THE EXPRESS WRITTEN CONSENT OF BRIGADE ELECTRONICS.

| | | | |
|---|------------------------|-----------------------------|-----------------------|
| Assembly PI Approval w.WU (13/05/2020) | Approved by S.LAVER | Checked by A.KEBEDE | Drawn by J.STEWART |
| | Units mm | Scale N/A | Released 26/05/20 |
| | Status RELEASED | Assembly Ref VBV-770-100 | |
| Part No 4695C | BE-004311-00-20 | | |

BRIGADE[®]
www.brigade-electronics.com